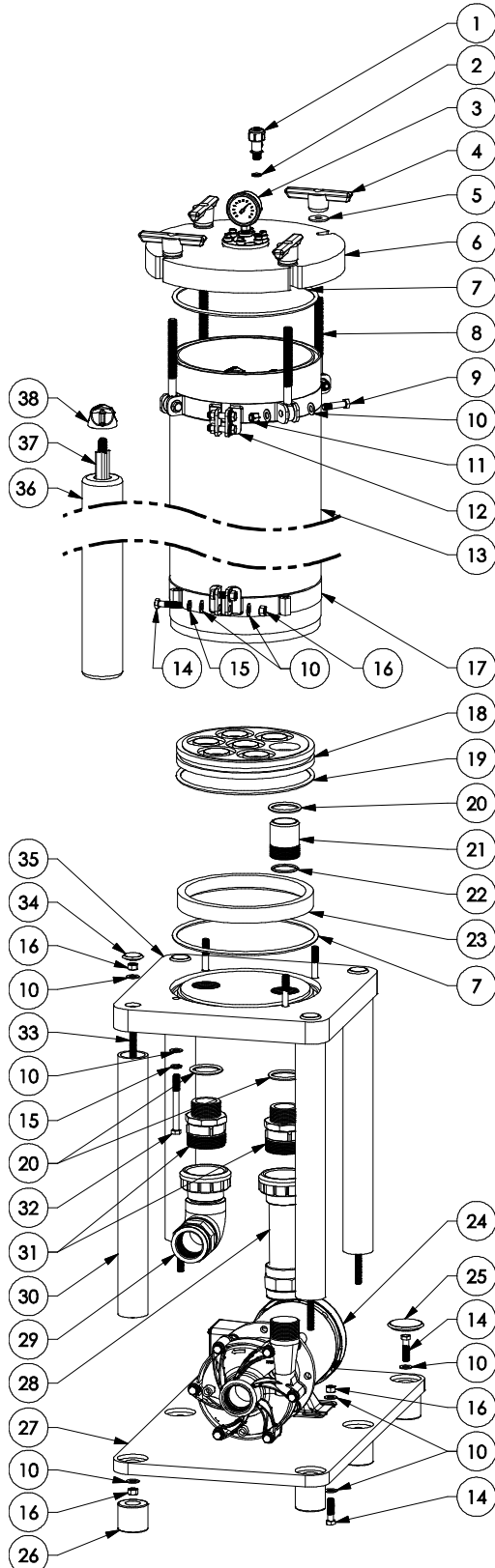


© 2016 Serfilco Ltd. All Right Reserved.
SERFILCO®

Series 'JM' | Filter System

2900 MacArthur Blvd. Northbrook, IL. USA 60062 WWW.SERFILCO.COM (800) 323-5431

PARTS LIST
 P-2210
 09/29/16



NO.	DESCRIPTION		QTY	Part No.
1	Vent Valve	PP	1	33-8108-PP
2	'O'-ring	EPDM FKM	1	22-0870 22-0870-V
3	Gauge guard assembly	EPDM FKM	1	99-0732 99-0732-V
4	Tee handle		4	11-0265
5	Washer	1/2" SS	4	11-0619
6	Chamber lid	PP	1	88-4010-PP
7	'O'-ring	EPDM FKM	2	22-2447 22-2447-V
8	Swing bolt	1/2-13x5 3/4" SS	4	11-0474-1
9	Bolt	3/8-16x1 5/8" SS	4	11-0444-1
10	Washer	3/8" SS	38	11-0126
11	Nut nyloc	3/8" SS	4	11-0519
12	Swing bolt bracket	SS	1	88-4066
13	Shell	10" PP 20" 30" 40"	1	88-4000-1PP 88-4000-2PP 88-4000-3PP 88-4000-4PP
14	Bolt	3/8-16x1 3/4" SS	10	11-0374
15	Lock washer	3/8" SS	8	11-0140
16	Nut	3/8-16" SS	16	11-0105
17	Hold down bracket	SS	1	88-4065
18	Cartridge plate	PP	1	88-4020-PP
19	'O'-ring	EPDM FKM	1	22-0368 22-0367
20	'O'-ring	EPDM FKM	3	22-0883 22-0883-V
21	Inlet pipe	PP	1	88-4030-PP
22	'O'-ring	EPDM FKM	1	22-0572 22-0572-V
23	Mixing chamber plate	PP	1	88-4035-PP
24	Pump		1	'Series ME'
25	Cap plug	2" PE	2	33-2210
26	Foot	PVC	6	77-1250-3PP
27	Base plate	PP	1	88-4060-1PP
28	Inlet assembly w/ FKM 'O'-ring	1 1/2 FNPT PP 1 FNPT	1	33-2357 33-2357-V 33-2359 33-2359-V
29	Outlet assembly w/ FKM 'O'-ring	1 1/2 FNPT PP	1	33-2358 33-2358-V
30	Leg	17 1/2" PP	4	33-2500
31	Bushing	1-1/2" BSP PP	2	33-2353
32	Bolt	3/8-16x4 1/2" SS	4	11-2064-1
33	Thrd rod	3/8-16x21" SS	4	11-3030
34	Cap plug	1" PE	4	33-1627
35	Chamber base	PP	1	88-4050-1PP
36	Filter cartridge		6	Bulletin M-109
37	X-post	10" PP 20" 30" 40"	6	88-1601-PP 88-1602-PP 88-1603-PP 88-1604-PP
38	Hold down cap	PP	6	77-1590-PP
*	Chamber only (less pump), 1 1/2" Inlet	10" EPDM 20" 30" 40"		88-4101-PP 88-4102-PP 88-4103-PP 88-4104-PP
	1" Inlet	10" EPDM 20" 30" 40"		88-4101-1PP 88-4102-1PP 88-4103-1PP 88-4103-1PP

For FKM 'O'-ring add 'V' to suffix of P/N

Product Bulletin:	F-221
Operation and Service Guide:	O-2210