



SERIES 'S' | CARTRIDGE FILTER CHAMBERS



FEATURES AND BENEFITS

- **3 Column Chamber**
- **Non-Metallic Solution Contact:**
PVC, CPVC, Polypropylene or PVDF Construction.
(See a chemical resistance chart)
- **Heavy Duty Construction:**
Pressure Ratings to 135psi (931 KPa)
(See pressure/temperature table on page 3)
Swing Bolt Cover Closure with Tee Handle
- **Variety of Sizes:**
From 3 to 12 - 10" Cartridge Capacity.
(Or equivalent 20", 30", or 40" Lengths)
- **Port Size:**
1" NPT Standard.
Metric and Flange Available
- **O-Ring Seal at Cover & Vent Valve:**
EPDM standard, FKM optional.
- **Flow Rates to 68 GPM:**
Depending on style and length of filtration media,
as well as chemistry characteristics.

Can Be Used with a Variety of Filter Media (order separately)

- Depth Wound, Pleated or Carbon Cartridges
- Positive Cartridge Seal for:
Standard - DOE . . . Double Open End
Optional - SOE . . . Single Open End for 222 O-Ring

SERIES 'S' CHAMBERS: ORDER INFORMATION

MATERIAL	DESCRIPTION	MODEL NUMBER	PRICE CODE	CONN. SIZE	CARTRIDGE LENGTH
PVC	PVC shell sealed to base, CPVC base and cover.	PL30(1)S-1-G3	78-1132	1" NPT	10
		PL60(2)S-1-G3	78-1133		20
		PL90(3)S-1-G3	78-1134		30
		PL120(4)S-1-G3	78-1135		40
CPVC	CPVC base, cover and shell with shell sealed to base.	CL30(1)S-1-G3	78-0250	1" NPT	10
		CL60(2)S-1-G3	78-0251		20
		CL90(3)S-1-G3	78-0252		30
		CL120(4)S-1-G3	78-0253		40
PVDF	PVDF base, cover and shell with shell sealed to base	KL30(1)S-1-G3	78-0450-A	1" NPT	10
		KL60(2)S-1-G3	78-0451-A		20
		KL90(3)S-1-G3	78-0452-A		30
		KL120(4)S-1-G3	78-0453-A		40
PP	Polypropylene base, cover and shell with shell sealed to base.	PPL30(1)S-1-G3	78-1040-A	1" NPT	10
		PPL60(2)S-1-G3	78-1041-A		20
		PPL90(3)S-1-G3	78-1042-A		30
		PPL120(4)S-1-G3	78-1043-A		40



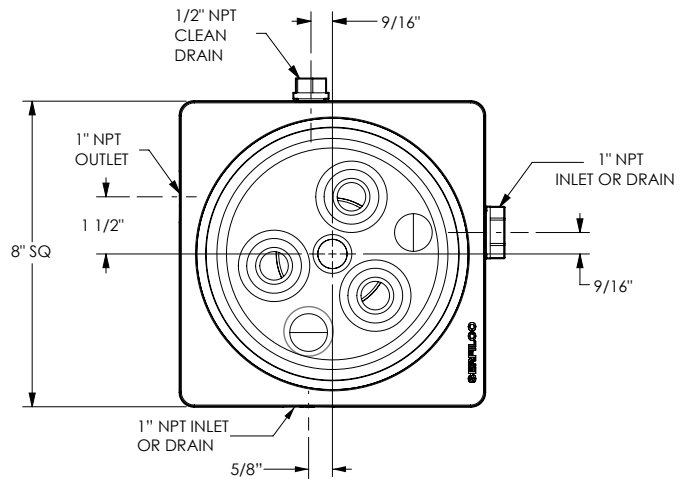
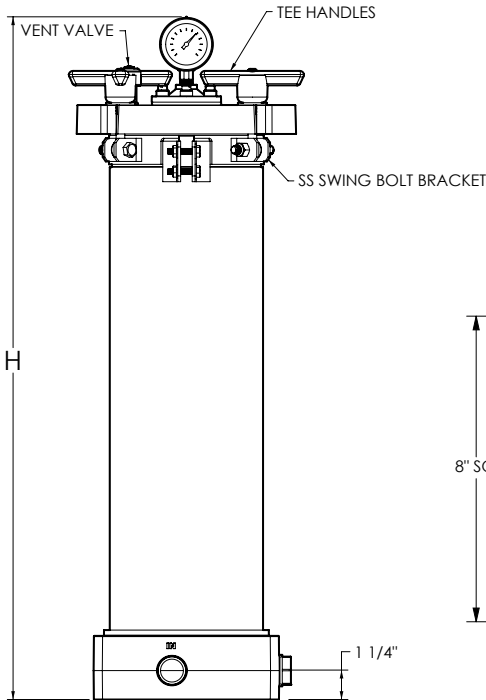
TECHNICAL INFORMATION

FLOW RATE vs. PRESSURE DIFFERENTIAL ¹		
CONNECTION SIZE	@ 5 PSI	@ 15 PSI
1" NPT	30 GPM 114 LPM	58 GPM 220 LPM

¹With 15 Micron Depth Wound Cartridges

MAX. PSI PRESSURE AT OPERATING TEMPERATURE.						
TEMP.	PVC		CPVC		PVDF	PP
	w/ cover plate	w/o cover plate	w/ cover plate	w/o cover plate	w/ cover plate	w/ cover plate
70°F	135	100	135	100	120	50
100°F	100	85	110	85	95	45
120°F	65	55	90	65	80	40
140°F	35	30	70	50	70	35
170°F	-	-	45	30	55	15
200°F	-	-	25	20	45	-

See Option for Cover Reinforcing Plate



SERIES 'S' CHAMBERS							
CHAMBER			CARTRIDGES - Max Diameter 2.7"				
SIZE	HEIGHT 'H' (in.)	SHIPPING WEIGHT (lbs.)	SIZE & NUMBER				SOLIDS AREA
			10"	20"	30"	40"	
30(1)	19-1/2	13	3	-	-	-	10.5
60(2)	29-1/2	25	6 or 3	-	-	-	21.0
90(3)	39-1/2	38	9	-	or 3	-	31.5
120(4)	49-1/2	50	12 or 6	-	-	or 3	42.0

OPTIONAL EQUIPMENT

TO ORDER	DESCRIPTION	ADD to MODEL NO.	ADD TO PRICE CODE NO.
FKM Elastomers	FKM elastomers.	Change L to V in model	-V
Mounting Bracket	PVC 11" x 8" x 1" (279 x 203 x 25mm)	Use prefix S	88-0556-1
Reinforcing Plate	For PL and CL models. (Comes standard on KL & PPL Models)	-	88-0597
222 O-Ring Cartridge Seat	For SOE (single open and flat top) Cartridges (2.7" max dia.) Top seats, springs and cross posts not furnished.	-2	-2
Flange Connections.	1" Flanges on Inlet and Outlet.	-F	-F