



SERIES 1235 - 1255 | BAG CHAMBERS



FEATURES AND BENEFITS

- **Non-Metallic Solution Contact**
PVC, CPVC, Polypropylene Construction
EPDM Elastomers Standard (FKM Optional).
- **Sizes to 19.5 Square Feet (1.8 sq/m)**
For Flow Rates to 100 GPM (378 LPM).
- **Bottom Inlet - Bottom Outlet Design.**
Allows Chamber to be Hard Piped
Change Bags Without Disconnecting Piping
- **Easy to Service.**
Swing Bolt / Tie Rod Cover Closure with
Tee Handles
- **Port Size:**
1-1/2" NPT Inlet / Outlet
- **Polypropylene Filter Bags.**
Available in 1, 5, 10, 25, 50 and 100 micron.



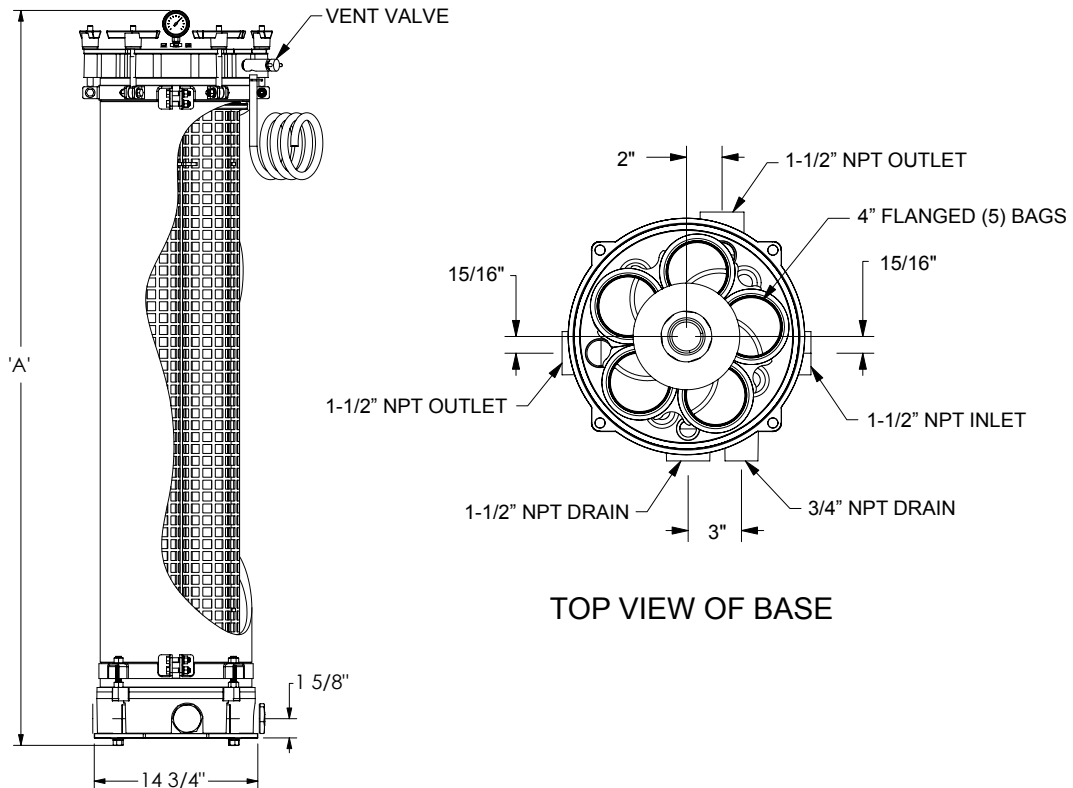
MATERIAL	DESCRIPTION	MODEL NUMBER	PRICE CODE	BAG LENGTH
PVC	PVC shell, CPVC base and cover. SS swing bolts and tee handles. CPVC vent valve.	PL1235BFS-1-1/2-G3A	78-1733-P	30"
		PL1255BFS-1-1/2-G3A	78-1735-P	50"
CPVC	CPVC shell, base and cover. SS swing bolts and tee handles. CPVC vent valve.	CL1235BFS-1-1/2-G3A	78-1733-C	30"
		CL1255BFS-1-1/2-G3A	78-1735-C	50"
PP	Polypropylene shell, glass reinforced polypropylene base and cover. SS swing bolts and tee handles. PP vent valve.	PPL1235BFS-1-1/2-G3A	78-1733-PP	30"
		PPL1255BFS-1-1/2-G3A	78-1735-PP	50"



SERIES 1235 - 1255 | BAG CHAMBERS

TECHNICAL INFORMATION

SERIES NUMBER	SURFACE AREA		PORTS NPT	MAXIMUM FLOW RATE		HEIGHT 'A'		SHIPPING WEIGHT	
	ft. ²	M ²		GPM	LPM	in	mm	lbs	kg
1235	12.0	1.1	1-1/2"	80	303	41.9	1064	100	45
1255	19.5	1.8	1-1/2"	100	454	61.9	1572	115	52



SERIES 1235 - 1255 REPLACEMENT MEDIA

FOR 1235 CHAMBERS		
NOM. MICRON RATING	PRICE CODE NUMBER	MODEL NUMBER
1	88-3613-F	FB-PP01 x 2.4
5	88-3613-A	FB-PP05 x 2.4
10	88-3613-B	FB-PP10 x 2.4
25	88-3613-C	FB-PP25 x 2.4
50	88-3613-E	FB-PP50 x 2.4
100	88-3613-D	FB-PP100 x 2.4

FOR 1255 CHAMBERS		
NOM. MICRON RATING	PRICE CODE NUMBER	MODEL NUMBER
1	88-3615-F	FB-PP01 x 3.9
5	88-3615-A	FB-PP05 x 3.9
10	88-3615-B	FB-PP10 x 3.9
25	88-3615-C	FB-PP25 x 3.9
50	88-3615-E	FB-PP50 x 3.9
100	88-3615-D	FB-PP100 x 3.9



SERFILCO®

Chemical resistant pumps & filters engineered for industry

2900 MacArthur Blvd.
Northbrook, IL. 60062-2005 U.S.A (800) 323-5431
E-Mail: sales@serfilco.com (847) 509-2900
Web: www.serfilco.com (847) 559-1141

©2019 SERFILCO Ltd, All Rights Reserved.