

SPACE-SAVER 'JM' FILTRATION SYSTEMS



The JM Series is engineered to provide reliable, high performance filtration in a small package. These compact pump and filter systems are popular for use on small to medium sized tanks for GMF (General Metal Finishing), the electronics industry and in precious metal plating.

Benefits

- **Seal-less Magnetic Drive Pumps**
Systems feature highly efficient seal-less magnetic coupled pumps for total solution containment and reliable performance.
- **Filter Chamber**
Constructed of PP to ensure chemical and temperature compatibility in a wide range of applications. The standard chamber accepts double open end (DOE) cartridges or filter discs depending on the application.
- **Simple Carbon or Resin Treatment**
These systems are also available with optional purification chambers with a reusable canister for a low-cost, but effective method of continuously or periodically removing organic impurities from plating baths and other chemical solutions.

Featuring non-metallic, leak proof magnetic coupled pumps and machined JM filter chambers, these systems provide high flow and high turnover rates, assuring continuous particle removal. Systems are available with an optional bypass carbon or resin purification chamber.

ORDERING INFORMATION

TO ORDER use system number

System No.	Flow Rate (GPH)	Motor (HP)	Materials	Media	Connections (inches)
Cartridge Systems					
PPJM12 ME308	2800	0.75	PP/EPDM	6 x 20"	1 1/2 x 1 1/2 FNPT
PPJM18 ME308				6 x 30"	
PPJM12 ME410	4000	1.0		6 x 20"	
PPJM18 ME410				6 x 30"	
PPJM18 ME515	5400	1.5		6 x 30"	
Disc Systems					
PPJMD15 ME308	2200	0.75	PP/EPDM	8" x 40	1 1/2 x 1 1/2 FNPT
PPJMD15 ME410	3200	1.0			
PPJMD15 ME515	4000	1.5			

OPTIONS

Bypass Carbon Chamber (7 1/2 #)	Add - CCS
Slurry Tank (18 gal)	Add - SL
Viton O-rings	Add - V
Flange Connections	Add - FL

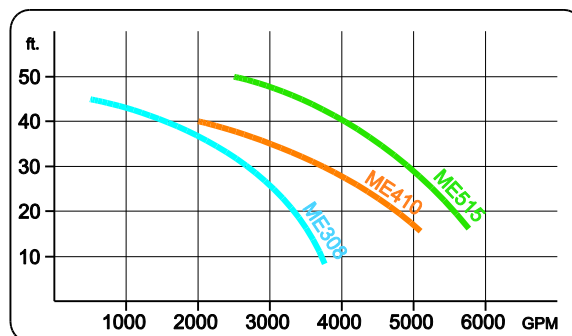
ACCESSORIES

1 1/2" Isolation Valve	O-CV16
P-10 Pump Protector	99-1170
P-10 Installed	O-P10

STANDARD FEATURES

- Series JM machined PP chamber for cartridge or disc.
- Corrosion resistant PP 4-pillar base.
- EPDM elastomers.
- ME Series magnetic coupled pump (PP/Carbon/Ceramic).
- Stainless steel external fasteners.
- PP vent valve.
- Pressure gauge guard assembly.
- Union connections.

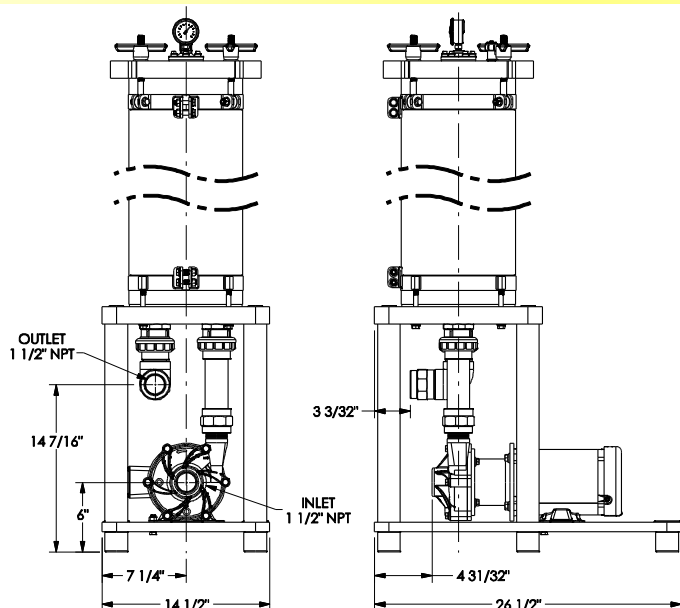
PERFORMANCE



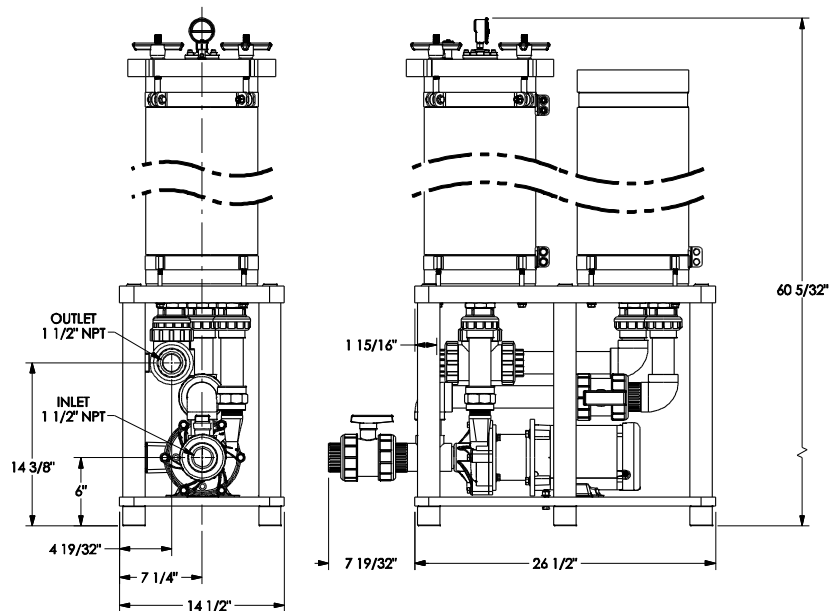
Data shown for 60hz operation and with NEMA motors.

Filter media ordered separately, please contact the sales office with your application details

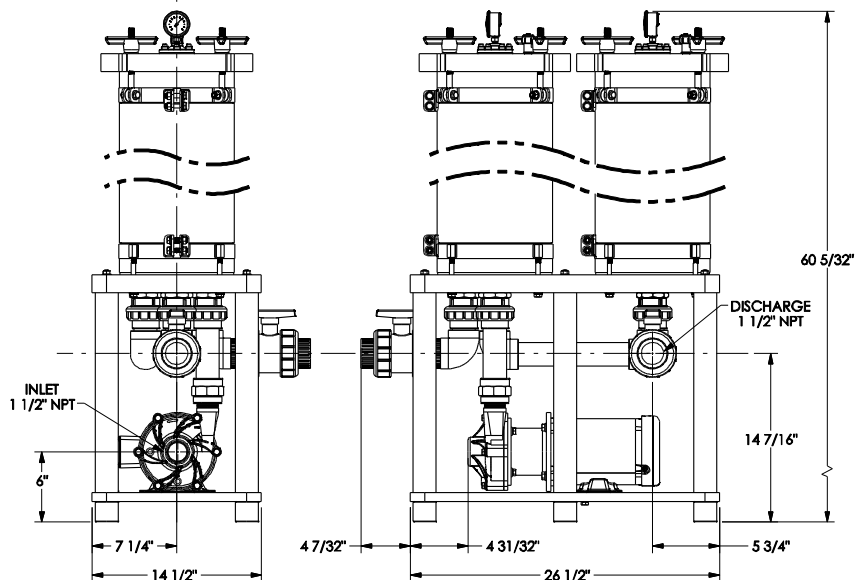
SPACE-SAVER 'JM' DIMENSIONS



JM Filtration System



JM Filtration System
w/ Slurry Chamber



JM Filtration System
w/ Bypass Carbon Treatment

SERFILCO FILTRATION RANGE

Visit www.serfilco.com to see our full range of products.



LABMASTER – 150 to 600 GPH, 1 x cartridge, mag-drive pump, PP/CPVC/PVDF.



SPACE-SAVER – 600 to 2,400 GPH, 3 x cartridge or filter bag, mag-drive pump, optional by-pass carbon PP/CPVC/PVDF.



SUPER SPACE-SAVER – 2,400 to 10,000 GPH, 6 or 15 cartridge, filter bag or disk filter, mag-drive or mechanical seal pump PP/CPVC/PVDF.



MEGAFLO – 8,000 to 18,000 GPH, 22 or 26 cartridge, mag-drive or mechanical seal pump, optional by-pass carbon PP/CPVC/PVC.



GUARDIAN – 12,000 GPH, cartridge, bag or disk filtration, mag-drive or mechanical seal pump, optional slurry tank and by-pass carbon PP/CPVC/PVDF/Steel.



OPTIFLO – 36,000 GPH, cartridge or disk filtration, mag-drive or mechanical seal pump, optional slurry and bypass carbon.



ADMIRAL – 6,800 GPH, in-tank or out-of –tank cartridge filtration, vertical seal-less pump, optional bypass carbon.



TITAN – 2,400 to 12,000 GPH, fully automatic operation, quartz or anthracite permanent media, horizontal sealed pump,

Serfilco, Ltd.

2900 MacArthur Blvd, Northbrook, IL 60062

(847) 509-2900