



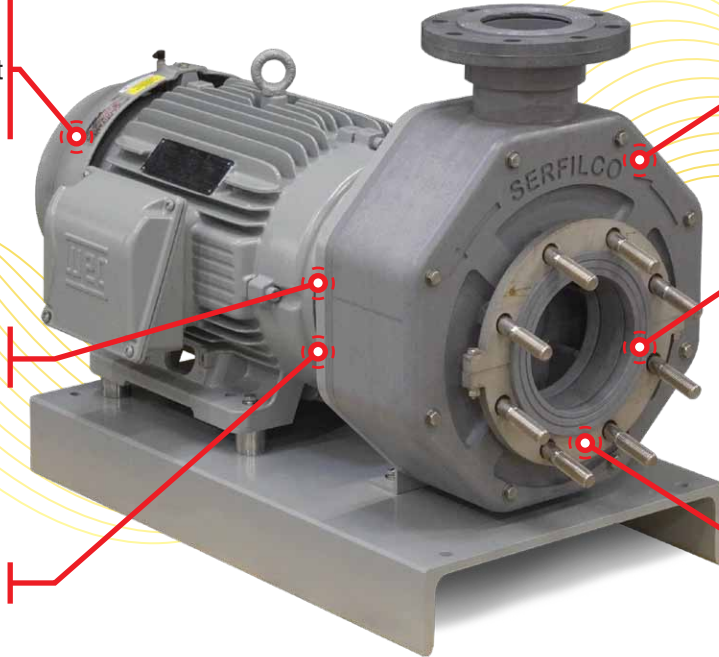
SERIES 'HA' | HORIZONTAL PUMPS

Chemical Duty Motor

Sealed oversized bearings, cast iron end bells, corrosion resistant epoxy coating, & stainless steel nameplate.

Single or Double Mechanical seal with EPDM or Viton elastomers

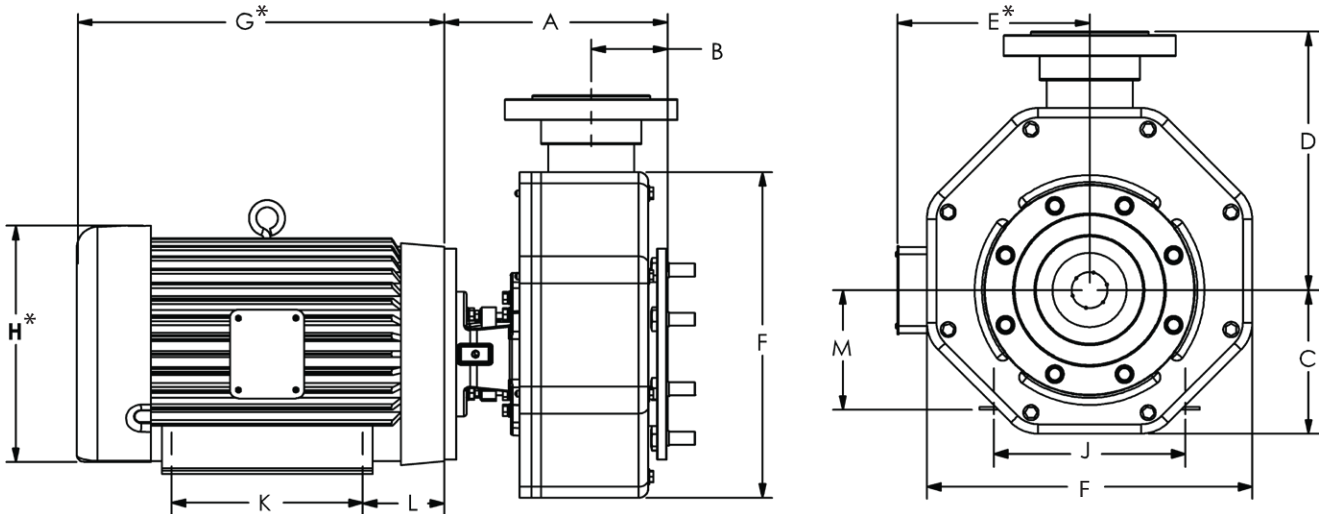
Close Coupled



Excellent Resistance to Chemicals
machined from solid CPVC

Centrifugal - Quiet
and vibration free

Flows to 1200 GPM
115 ft. TDH @ 60 Hz
(3800 l/m or 24M @50Hz)



MODEL	MOTOR FRAME	HP	DIMENSIONS in. (mm)												
			A	B	C	D	E*	F	G*	H*	J	K	L	M	
4 x 3 x 8	213TC	7.5	11 ¹ / ₁₆ (294)	4 (102)	8 ¹ / ₄ (210)	11 (279)	7.3 (185)	15.5 (394)	15.5 (394)	10.3 (262)	8.5 (216)	5.5 (140)	3.5 (89)	5.3 (135)	
	215TC	10.0	11 ¹ / ₁₆ (294)	4 (102)	8 ¹ / ₄ (210)	11 (279)	7.3 (185)	15.5 (394)	16.6 (422)	10.3 (262)	8.5 (216)	7.0 (178)	3.5 (89)	5.3 (135)	
4 x 3 x 10	215TC	10.0	11 ¹ / ₁₆ (294)	4 (102)	8 ¹ / ₄ (210)	11 (279)	7.3 (185)	15.5 (394)	16.6 (422)	10.3 (262)	8.5 (216)	7.0 (178)	3.5 (89)	5.3 (135)	
	254TC	15.0	11 ¹ / ₁₆ (294)	4 (102)	8 ¹ / ₄ (210)	11 (279)	9.6 (244)	15.5 (394)	17.8 (452)	12.0 (305)	10.0 (254)	8.3 (211)	4.3 (109)	6.3 (160)	
	256TC	20.0	11 ¹ / ₁₆ (294)	4 (102)	8 ¹ / ₄ (210)	11 (279)	9.6 (244)	15.5 (394)	20.0 (508)	12.0 (305)	10.0 (254)	10.0 (254)	4.3 (109)	6.3 (160)	
6 x 4 x 10	254TC	15.0	11 ¹ / ₁₆ (297)	4 (102)	8 ¹ / ₄ (210)	13 ¹ / ₂ (343)	9.6 (244)	17.0 (432)	17.8 (452)	12.0 (305)	10.0 (254)	8.3 (211)	4.3 (109)	6.3 (160)	
	256TC	20.0	11 ¹ / ₁₆ (297)	4 (102)	8 ¹ / ₄ (210)	13 ¹ / ₂ (343)	9.6 (244)	17.0 (432)	20.0 (508)	12.0 (305)	10.0 (254)	10.0 (254)	4.3 (109)	6.3 (160)	
	284TC	25.0	11 ¹ / ₁₆ (297)	4 (102)	8 ¹ / ₄ (210)	13 ¹ / ₂ (343)	13.1 (333)	17.0 (432)	21.6 (549)	14.0 (356)	11.0 (279)	9.5 (241)	4.8 (121)	7.0 (178)	
	286TC	30.0	11 ¹ / ₁₆ (297)	4 (102)	8 ¹ / ₄ (210)	13 ¹ / ₂ (343)	13.1 (333)	17.0 (432)	21.6 (549)	14.0 (356)	11.0 (279)	11.0 (279)	4.8 (121)	7.0 (178)	

* Motor dimensions will vary by motor manufacturer



SERIES 'HA' | HORIZONTAL PUMPS

Order Information

For standard pump-motor combination, select model from table below.

Select flow curve number providing desired performance. Then match to Model # listed below.

Standard models include: CPVC sleeved or titanium shaft, single mechanical silicon carbide seal, and EPDM elastomers.

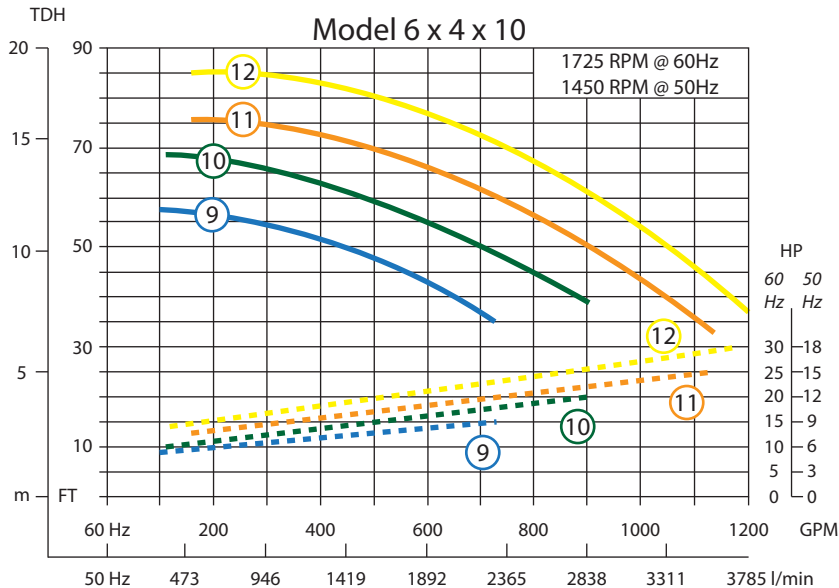
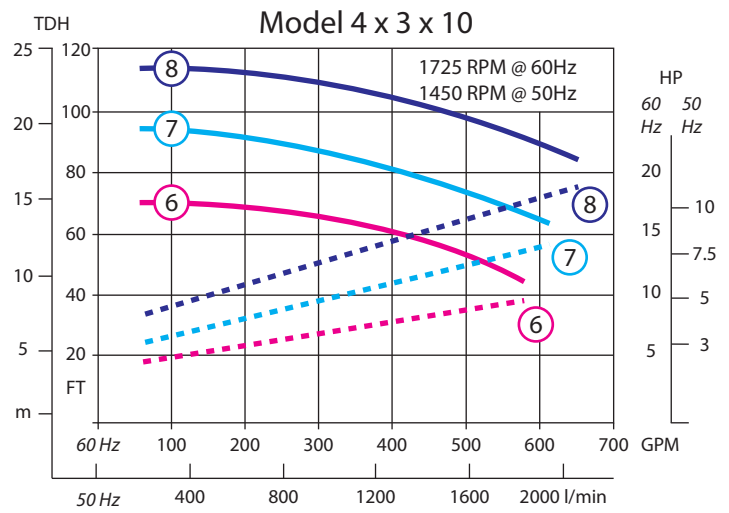
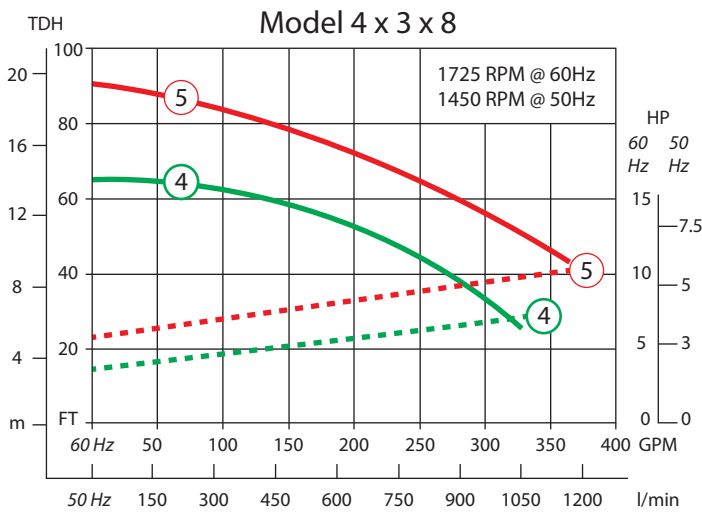
FLOW CURVE	MODEL	MODEL NUMBER	MAXIMUM FLOW (GPM)	MAXIMUM TDH (Ft.)	PRICE CODE NO. W/ 60 Hz
4	4 x 3 x 8	HA 4 x 3F x 8 C4L(M8)-H7.5	325	65	47-4241 G
5		HA 4 x 3F x 8 C5L(M8)-H10.0	370	90	47-4251 H
6	4 x 3 x 10	HA 4 x 3F x 10 CT6L(M8)-H10.0	600	70	47-4361 H
7		HA 4 x 3F x 10 CT7L(M8)-H15.0	630	95	47-4371 S
8		HA 4 x 3F x 10 CT8L(M8)-H20.0	650	110	47-4381 V
9	6 x 4 x 10	HA 6 x 4F x 10 CT9L(M8)-H15.0	820	60	47-4491 S
10		HA 6 x 4F x 10 CT10L(M8)-H20.0	1000	75	47-4401 V
11		HA 6 x 4F x 10 CT11L(M8)-H25.0	1120	85	47-4411 W
12		HA 6 x 4F x 10 CT12L(M8)-H30.0	1300	95	47-4421 X

Additional Options

DESCRIPTION	PRICE CODE NO.
TRIMMED IMPELLER TO MEET SPECIFIED FLOW	47-0084
HASTELLOY C SHAFT -HC	-HC

* For assistance with custom pump-motor combinations, including pumps for higher specific gravity, please consult Serfilco sales department. (800) 323-5431

* See Technical Bulletin T-P-207



Parts Lists:
HA4x3x8: P-0977
HA4x3x10: P-0978
HA6x4x10: P-0979

Operation and Service Guide:
HA4x3x8: O-0123
HA4x3x10: O-0122
HA6x4x10: O-0121