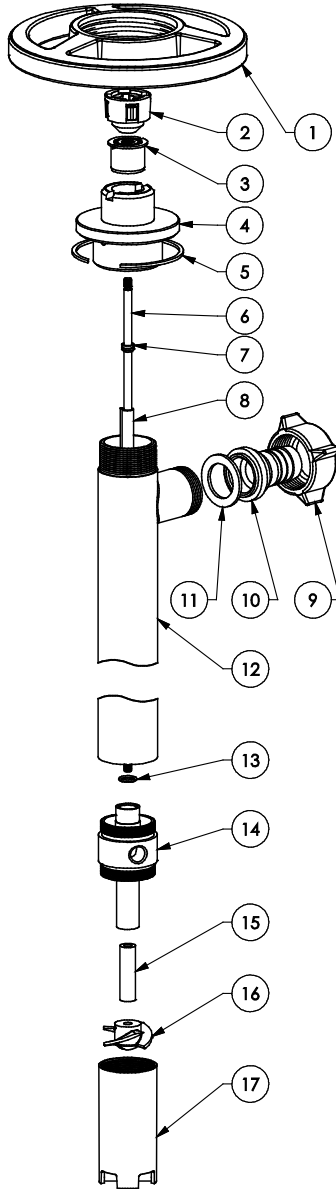


HIGH HEAD

SIZE	MODEL	PART No.	MODEL	PART No.
39"	SS8339-1	52-2000	SS8339-1H	52-2000-H
47"	SS8347-1	52-2001	SS8347-1H	52-2001-H
60"	SS8360-1	52-2002	SS8360-1H	52-2002-H
72"	SS8372-1	52-2003	SS8372-1H	52-2003-H



NO.	DESCRIPTION	PART NUMBERS
1	Hand wheel PP	52-1842
2 ¹	Coupling NYLON	52-1004
3 ¹	Bearing assembly	52-1038
4	Outrun Flange	52-2009
5	Snap ring ST	52-1508
6	Drive shaft	39" 52-2028 47" 52-2029 60" 52-2709 72" 52-2710
7 ¹	V-seal PTFE	52-4029
8	PTFE Guide sleeve	39" & 47" 52-2032 60" 52-2711 72" 52-2712
9	Wing nut	52-2068
10	Hose barb 1"	52-2196
11	Gasket TFE	52-2195
12 ^{2,3}	Outer Tube (42mm)	39" 52-2701-1 47" 52-2702-1 60" 52-2713-1 72" 52-2714-1
13	O-ring (2 per set) FKM	52-2707
14 ^{2,3}	Pump housing (42mm)	52-2704-1
15	Carbon bushing	52-1606
16 ²	Rotor	52-2706 high head 52-2706-HH
17 ^{2,3}	Pump foot (42mm)	52-2708-1 high head 52-2708-1HH

- 1. Recommended replacement parts.
- 2. Items have left hand threads.
- 3. For pumps manufactured prior August 2003 items are 41mm. Remove '-1' from part No.



METAL PUMPS (SS) MUST BE PROPERLY GROUNDED TO PREVENT POSSIBLE EXPLOSION AND/OR FIRE WHEN PUMPING FLAMMABLES

Product Bulletin:	P-402
Operation and Service Guide:	O-0176