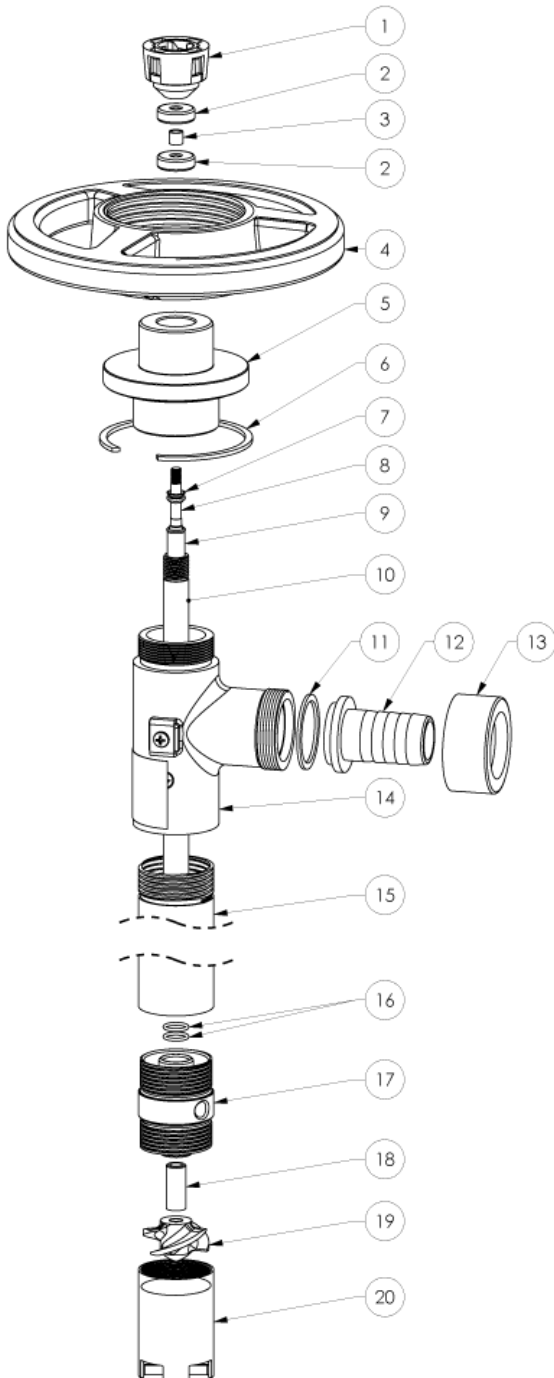


SIZE	ALUMINUM	
	MODEL	P/N
27"	ALDP27-1	52-7050-27
39"	ALDP39-1	52-7050-39
47"	ALDP47-1	52-7050-47
60"	ALDP60-1	52-7050-60
72"	ALDP72-1	52-7050-72

For High Head pump - add 'H' to model number and P/N



NO.	DESCRIPTION	QTY.	Part No.
1	Pump coupling Nylon	1	52-1004
2	Bearing	2	52-1038-2
3	Bearing spacer SS	1	52-8838-4
4	Hand wheel PP	1	52-1842
5	Connection flange AL	1	52-6650
6	Snap ring ST	1	52-1508
7	V-seal PTFE	1	52-4029
8	Drive shaft 27 SS	1	52-6661
	39		52-6662
	47		52-6663
	60		52-6664
	72		52-6665
9	Guide sleeve 27, 39, 47 PTFE	1	52-7659
	60, 72		52-7660
10	Inner tube 27 AL	1	52-6670
	39		52-6671
	47		52-6672
	60		52-6673
	72		52-6674
11	Seal PTFE	1	52-2195
12	Hose barb 3/4 AL	1	52-6658
	1		52-6657
13	Knurled nut AL	1	52-6656
14	Discharge housing AL	1	52-6651
15	Outer tube 27 AL	1	52-6680
	39		52-6681
	47		52-6682
	60		52-6683
	72		52-6684
16	'O'-ring FKM	2	52-7655
17	Pump housing AL	1	52-6685
18	Bushing Carbon Graphite		52-7606
19	Impeller, high volume PTFE	1	52-7706
	high pressure PTFE		52-2706-HH
20	Pump foot, high volume AL	1	52-6686
	high pressure AL		52-6786

The following items are not shown.

21	Ground wire set: (1)10ft, (2)6ft, (1)1ft lengths.	1	55-0247
22	Repair kit (includes items: 1, 2, 3, 11, 18 & 19)	1	52-7054



**METAL PUMPS MUST BE PROPERLY GROUNDED TO PREVENT POSSIBLE EXPLOSION AND/OR FIRE WHEN PUMPING FLAMMABLES**

Product Bulletin:	P-402
Operation and Service Guide:	O-0176