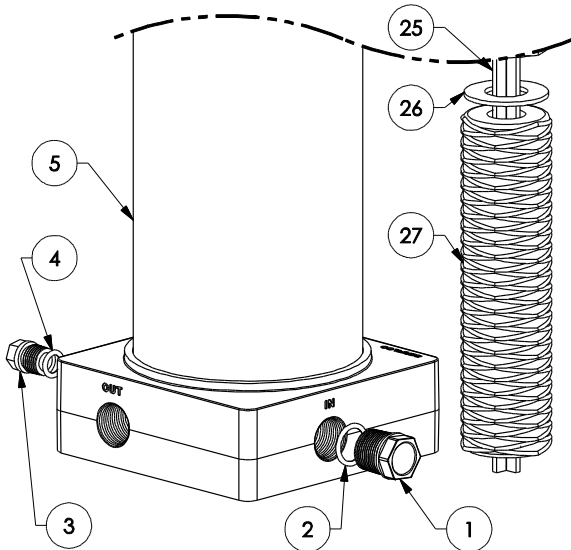
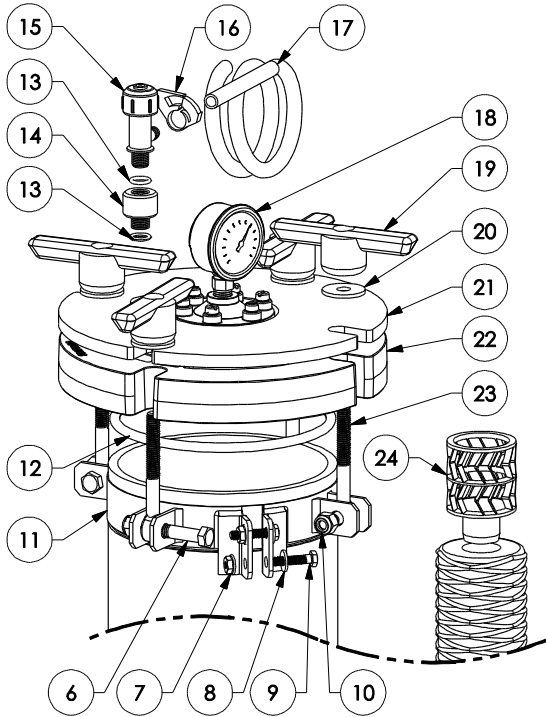


**SERFILCO®**

# Series 'S' | Filter Chambers

2900 MacArthur Blvd. Northbrook, IL. USA 60062 WWW.SERFILCO.COM (800) 323-5431

**PARTS LIST**  
P-4405  
08/02/12  
Page 1 of 1



NO		QTY	PVC	CPVC	PP	PVDF
1	Plug 1NPT	1	33-0212		33-0212-PP	33-0212-K
2	O-Ring EPDM FKM	1		22-0605 22-0604		
3	Plug 1/2NPT	1	33-0866		33-0866-PP	33-0866-K
4	O-Ring EPDM FKM	1		22-0569 22-0568		
5	Shell Base 10" (30) Assembly 20" (60) 30" (90) 40" (120) 50" (150)	1	88-2912 88-2913 88-2914 88-2915 88-3175	88-1124 88-1125 88-1126 88-1127 88-3174	88-2792-3 88-2793-3 88-2794-3 88-2795-3 88-3176-3	88-2880 88-2881 88-2882 88-2883 88-3177
6	Bolt 3/8-16x1 5/8" SS 18-8	4		11-0444-1		
7	Lock Nut 1/4-20 SS 18-8	2		11-0103		
8	Washer 1/4" SS 18-8	2		11-0121		
9	Bolt 1/4-20x1 1/4" SS 18-8	2		11-0390		
10	Nyloc Nut 3/8-16 SS 18-8	4		11-0519		
11	Cover Bracket SS 316	1		88-0596		
12	O-Ring EPDM FKM	1	22-0365 22-0360	22-0365 22-0360	22-0199 22-0565	
13	O-Ring EPDM FKM	1*		22-0870 22-0870-V	22-0600 22-0691	
14	Adapter 1/4NPTx1/4NPS	1*	33-1864		33-1864-PP	33-1864-K
15	Vent Valve 1/4NPS	1		33-8108-PP		88-1340
16	Hose Clamp	1		22-0912		
17	Vent Hose	8ft		22-0913		
18	Gauge Guard EPDM	1		99-0732		
19	Tee Handle 3/8-16 PP	4		11-0265		
20	Washer ø3/8" SS 18-8	4		11-0447		
21	Support Plate FRP	1*		88-0597		
22	Chamber Cover	1	88-0387		88-2785	88-1339
23	Swing Bolt 3/8-16 SS 18-8	4		11-0497-1		
24	Top Seat Spring PP	1		77-0844		77-1591-K
25	X-Post 10" (30) 20" (60) 30" (90) 40" (120) 50" (150)	3		88-0411 88-0350-4PP 88-0351-4PP 88-0352-4PP 88-0353-4PP		88-1611-K 88-1612-K 88-1613-K 88-1614-K 88-1615-K
26	Spacer EPDM FKM			22-0218 22-0204		
27	Filter Media					See Bulletin M-109

\* Adapter and second O-ring required when using Support Plate (item No. 21) only.

Product Bulletin:	C-106
Operation and Service Guide:	O-0886